



SOUNDWELL®

http://soundwell-cn.com

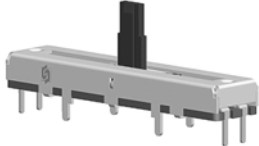
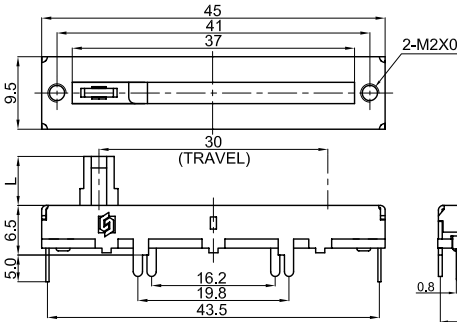
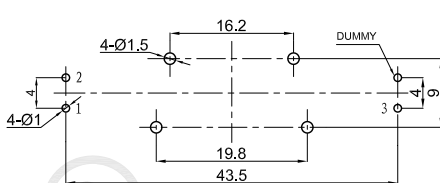
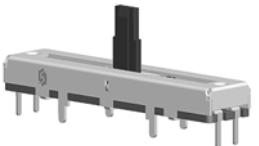
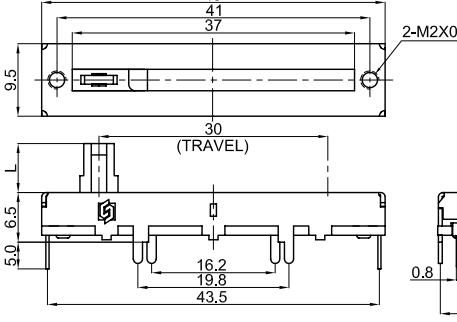
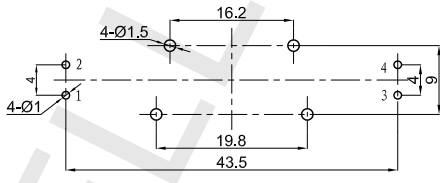
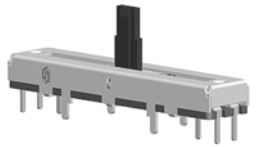
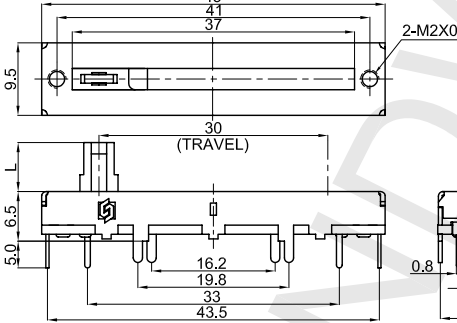
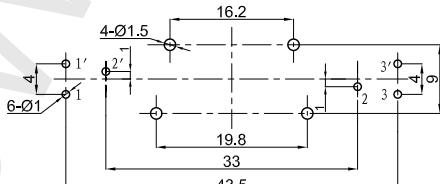

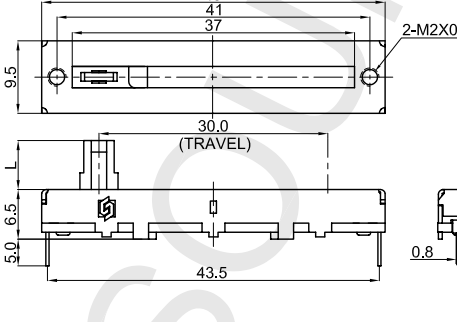
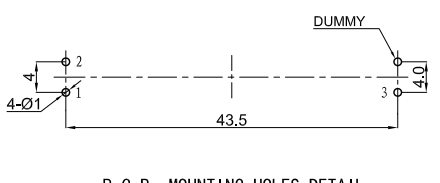
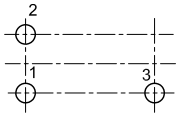
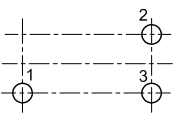
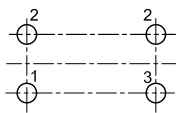
30mm Travel Series POTENTIOMETER



企业微信，扫码有惊喜



升威官网，发现更多产品

MODEL 品名	DIMENSIONS 尺寸	UNIT:mm
<p>SC3004NOB \square X-HA1</p> 		 <p>P. C. B. MOUNTING HOLES DETAIL</p> <p>\square=0/1/3 (Refer to below)</p>
<p>SC3004NTB \square X-HA1</p> 		 <p>P. C. B. MOUNTING HOLES DETAIL</p> <p>\square=0/1/3 (Refer to below)</p>
<p>SC3004GOB0X-HA1</p> 		 <p>P. C. B. MOUNTING HOLES DETAIL</p>
<p>SC3004NOA \square X-HA1</p> 		 <p>P. C. B. MOUNTING HOLES DETAIL</p> <p>\square=0/1/3 (Refer to below)</p>
P.C.B. MOUNTING HOLE DETAIL (FOR SC Series)		
 <p>Z CODE 0</p>	 <p>Z CODE 1</p>	 <p>Z CODE 3</p>